

DS-3WF0FA-2N/O 2.4 Ghz 300 Mbps 1 KM Wireless Bridge



The wireless bridge can be applied in industries, such as wireless video security, railway, transportation, power and other industries, wireless video/data transmission, wireless coverage, carrier wireless backbone network construction, Wi-Fi wireless coverage, rural information construction, and wireless network coverage. The long-distance transmission of the device can guarantee multi-channel HD video transmission.

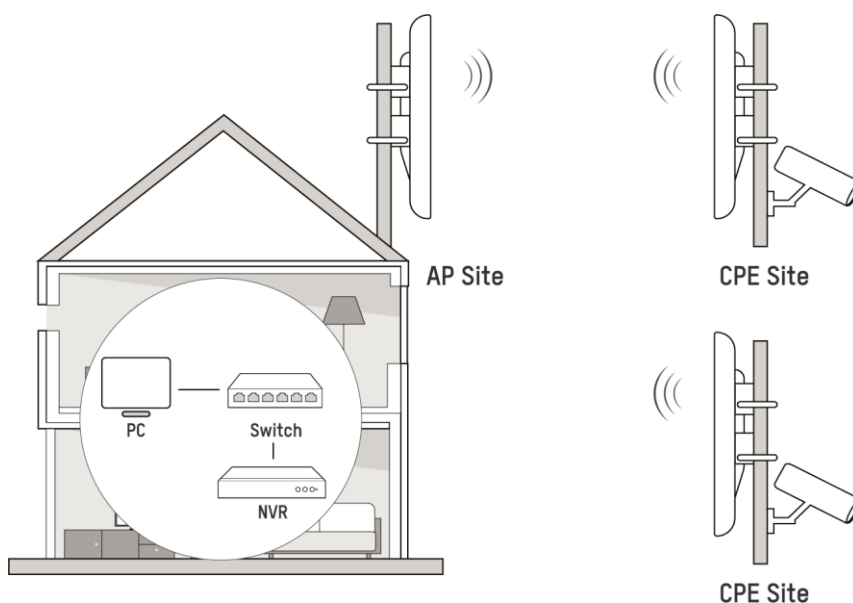
- Up to 1 km wireless transmission distance
- 300 Mbps 802.11n wireless bridge
- Built-in 7dBi 2 × 2 MIMO antenna
- Visualized topology management
- Real-Time alarm push technology

▪ Specification

| Wireless Parameter | |
|---|--|
| Max. Transmission Rate of Air Interface | ≤ 300 Mbps |
| Wireless Standard | IEEE 802.11b/g/n (2 × 2 MIMO 300 Mbps) |
| Working Frequency Band | 2400 MHz ~ 2483.5 MHz |
| Antenna Gain | 7 dBi |
| Antenna Angle | (H) Beamwidth [3 dB] 65° (V) Beamwidth [3 dB] 65° |
| Transmitting Power | 23 dBm @11n MCS0 (Note: Transmitting power may vary with local regulations.) |
| Receiving Sensitivity | -87±2 dBm @HT40 MCS0 |
| Throughput Rate | PTP: 90 Mbps/0.2 KM(HT40), 75 Mbps/0.5 KM(HT40), 40 Mbps/1 KM(HT40); PTMP(1 to 4): 20 Mbps/1 KM(HT40) |
| Hardware Parameter | |
| Network Interface | 2 × 10/100 Mbps RJ45 ports |
| LED Indicator | Power indicator, LAN indicator, Signal intensity indicator |
| Reset | Hardware resetting button |
| Power Supply | 12-24 VDC Passive PoE |
| Software Function | |
| Application Function | TDMA, DFS, TPC, IFM, IPM |
| Channel Width | 10/20/40 MHz |
| Channel Selection | Auto/manual selection |
| Network Protocol | NTP (network time synchronization), SADP (auto search for IP address), HTTPS (web management), SSH (debugging) |
| Security Mode | WPA2-PSK |
| Security Mechanism | Wireless network name hidden |
| Management Method | Web, iVMS-4200, HCP |
| Upgrade | Web, iVMS-4200, HCP |
| System Log | Syslog, Control center information |
| General | |
| Product Dimensions (W × H × D) | 92 mm × 187 mm × 58 mm (3.62" × 7.36" × 2.28") |
| Package Dimensions (W × H × D) | 132 mm × 228 mm × 91 mm (5.19" × 8.97" × 3.58") |
| Net Weight | 0.26 kg (0.57 lb) |
| Gross Weight | 0.6 kg (1.32 lb) |
| Packing List | Wireless Bridge × 1, Power Adapter (12 VDC, 1 A) × 1, 10/100 Mbps PoE Injector × 1, Binding Tape × 2, Quick Start Guide ×1, Regulatory Compliance and Safety Information × 1 |
| Packing Method | Single unit packing |
| Working Temperature | -30 °C to 70 °C (-22 °F to 158 °F) |
| Working Humidity | 5% to 95% (no condensation) |
| Storage Temperature | -40 °C to 80 °C (-40 °F to 176 °F) |
| Storage Humidity | 5% to 95% (no condensation) |
| Installation Mode | Pole Mounting |

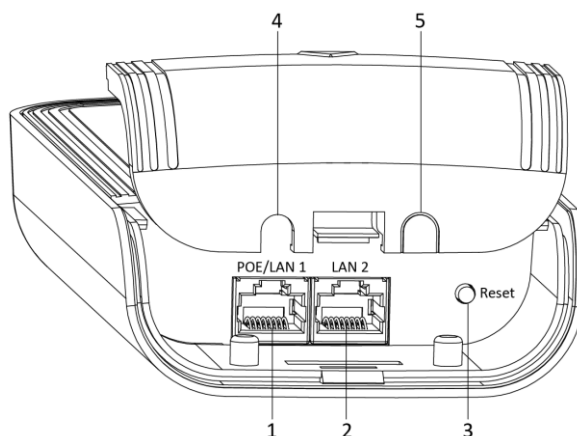
| | |
|--------------------|---|
| Ingress Protection | IP55 |
| Power Consumption | 1.95 W for typical (1-ch 2MP IPC), Max. 5 W |
| Approval | |
| EMC | CE-EMC (EN 55032: 2015+A11: 2020, EN IEC 61000-3-2: 2019, EN 61000-3-3: 2013+A1: 2019, EN 50130-4: 2011+A1: 2014, EN 55035: 2017+A11: 2020) |
| Safety | UL (62368), CB (AMD1:2009, AMD2:2013, IEC 62368-1: 2014 (Second Edition)), CE-LVD (EN 62368-1: 2014+A11: 2017) |
| Chemistry | CE-RoHS (2011/65/EU), WEEE (2012/19/EU), Reach (Regulation (EC) No.1907/2006) |
| Radio | EN 301 893, EN 300 440, EN 62311, EN 301 489-3, EN 301 489-17 |

▪ **Typical Application**



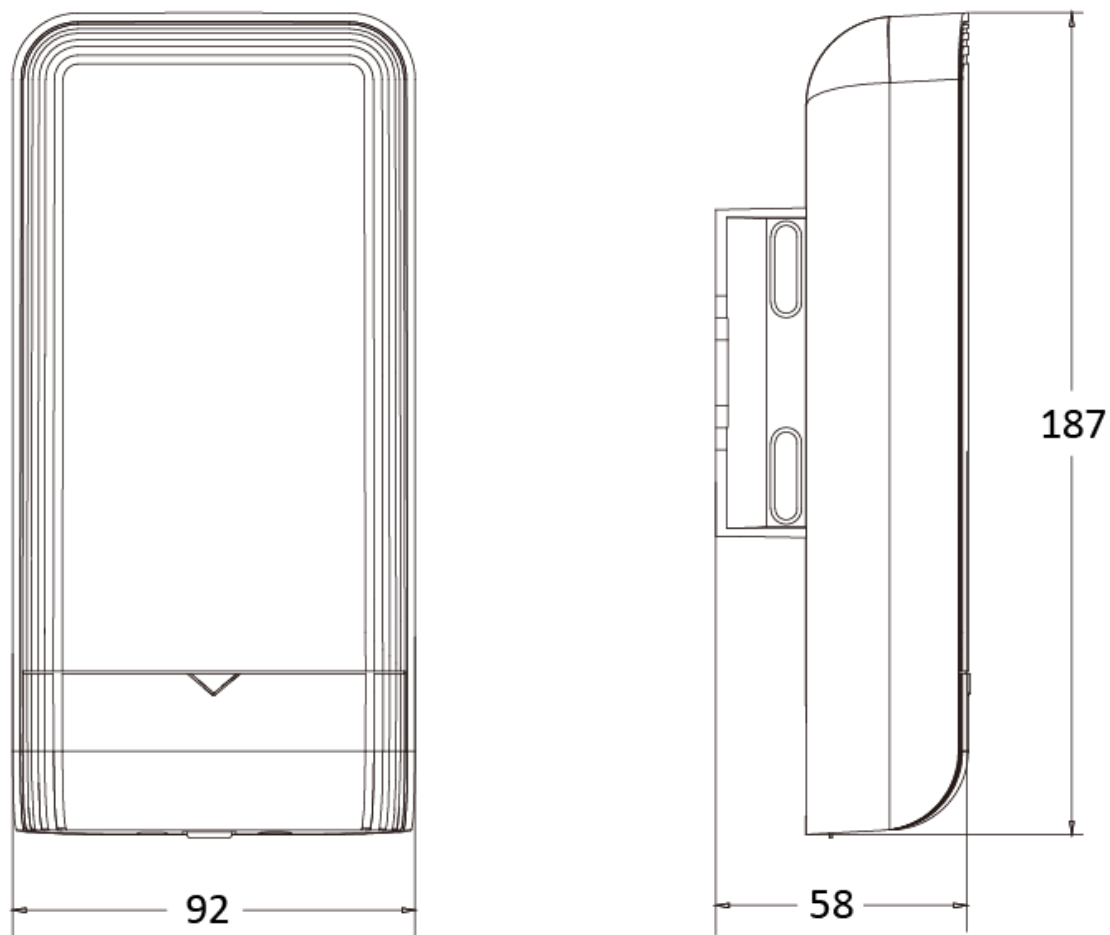
▪ **Physical Interface**

| No. | Interface/Button | Description |
|-----|--------------------|---|
| 1 | PoE/LAN 1 | The 10/100 Mbps adaptive RJ45 port, also can be used as a PoE port. |
| 2 | LAN 2 | The 10/100 Mbps adaptive RJ45 port. |
| 3 | Reset | Long press for 4 seconds to restore to factory settings. |
| 4/5 | Network Cable Slot | Reserved for easy placement of the network cables. |



▪ Available Model

DS-3WF0FA-2N/O

▪ Dimension

Unit: mm

Headquarters

No.555 Qianmo Road, Binjiang District,
Hangzhou 310051, China
T +86-571-8807-5998
www.hikvision.com



Follow us on social media to get the latest product and solution information.



Hikvision



HikvisionHQ



HikvisionHQ



Hikvision_Global

Hikvision
Corporate Channel

hikvisionhq